

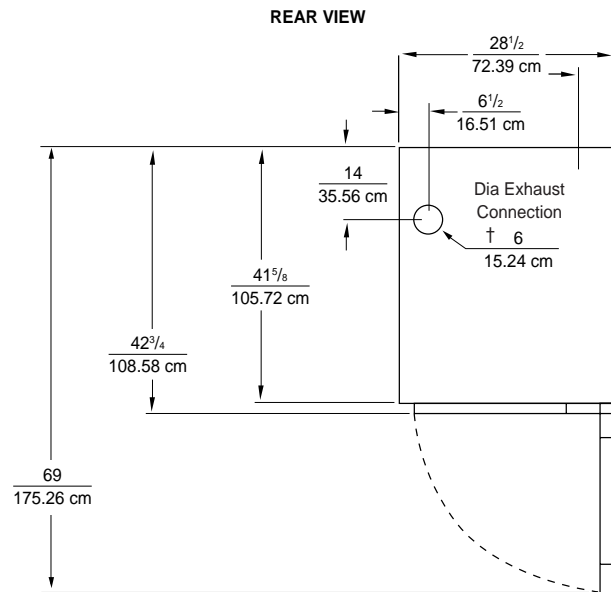
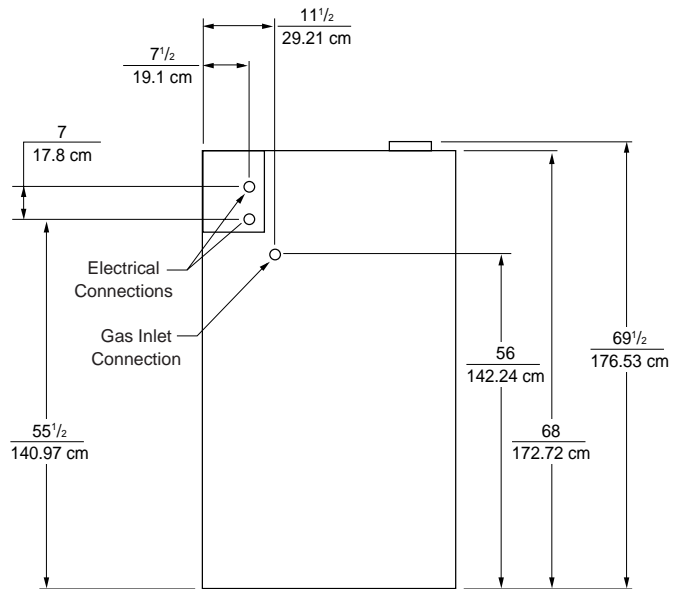
AD-285		
MAXIMUM CAPACITY (Dry Weight)	30 lbs	13.6 kg
BASKET DIAMETER	27 ¹ / ₄ "	69.22 cm
BASKET DEPTH	30"	76.2 cm
MOTOR (Horsepower)	¹ / ₂ hp	0.373 kw
DOOR OPENING (Diameter)	21 ¹ / ₂ "	54.61 cm
BASKET VOLUME	10.18 cu.ft.	0.288 cu.m.
DRYERS PER 20'/40' CONTAINER	14/30	
DRYERS PER 48'/53' TRUCK	38/39	
GAS	VOLTAGE AVAILABLE	120-460v/1,3Ø/50/60 Hz
	APPROX. NET WEIGHT	455 lbs 206.4 kg
	APPROX. SHIPPING WEIGHT	500 lbs 226.8 kg
	HEAT INPUT	72,000 btu/hr 18,145 kcal/hr
	AIRFLOW	375 cfm 11 cmm
INLET PIPE CONNECTION*	¹ / ₂ " F.P.T.	

* Size of piping to dryer varies with installation conditions. Contact factory for assistance.

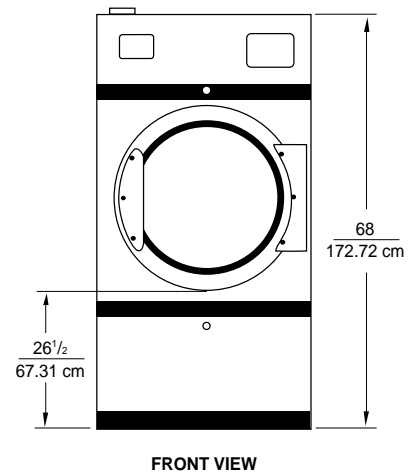
GAS ELECTRICAL SERVICE SPECIFICATIONS*					
IMPORTANT: 208 VAC and 230/240 VAC are not the same. When ordering, specify exact voltage.					
NOTES: A. Circuit breakers are thermal/magnetic (industrial) motor curve type ONLY . For others, calculate/verify correct breaker size according to appliance amp draw rating and type of breaker to be used.					
B. Circuit breakers for 3Ø dryers must be 3-pole type.					
SERVICE VOLTAGE	PHASE	WIRE SERVICE	APPROX. AMP DRAW		CIRCUIT BREAKER AMPERAGE
			60Hz	50Hz	
120	1	2	9.6	—	15
208	1	2	5.8	—	15
240	1	2	5.3	4.7	15
208	3	3	2.9	—	15
240	3	3	3.2	4.0	15
380-400	3	3	—	2.2	15
416	3	3	—	2.2	15
460/480	3	3	2.1	—	15

* Contact factory for electrical information not listed. 3Ø figures shown are for 3-wire service.

Shaded areas are stated in metric equivalents.
Specifications subject to change without notice.



†Ductwork size varies with installation conditions.
Exhaust static pressure should not exceed 0.3" (0.74 mb) water column.



American Dryer Corporation
88 Currant Road, Fall River, MA 02720-4781
(508) 678-9000 FAX (508) 678-9447
sales@amdry.com www.amdry.com

Finance with **American Credit Corp.**, ext. 174
amcr@amdry.com www.amdry.com/serv01.htm